

# TECHNICAL SPECIFICATIONS



## KIDE Doors

---



---

### Member of the following associations:

- APIP'ÑA** Asociación de Fabricantes de Paneles de Poliuretano Inyectado de España
- ANDIMAT** Asociación Nacional de Fabricantes de Materiales Aislantes
- SNI** Syndicat National de l'Isolation
- ANEFRYC** Asociación Nacional de Empresas de Maquinaria y Equipos para la producción de Frío y Climatización
- AEC** Asociación Española de la Calidad
- EOQ** European Organization for Quality

**Standard EN-ISO-9001/08**  
**Standard EN-ISO-14001/04**

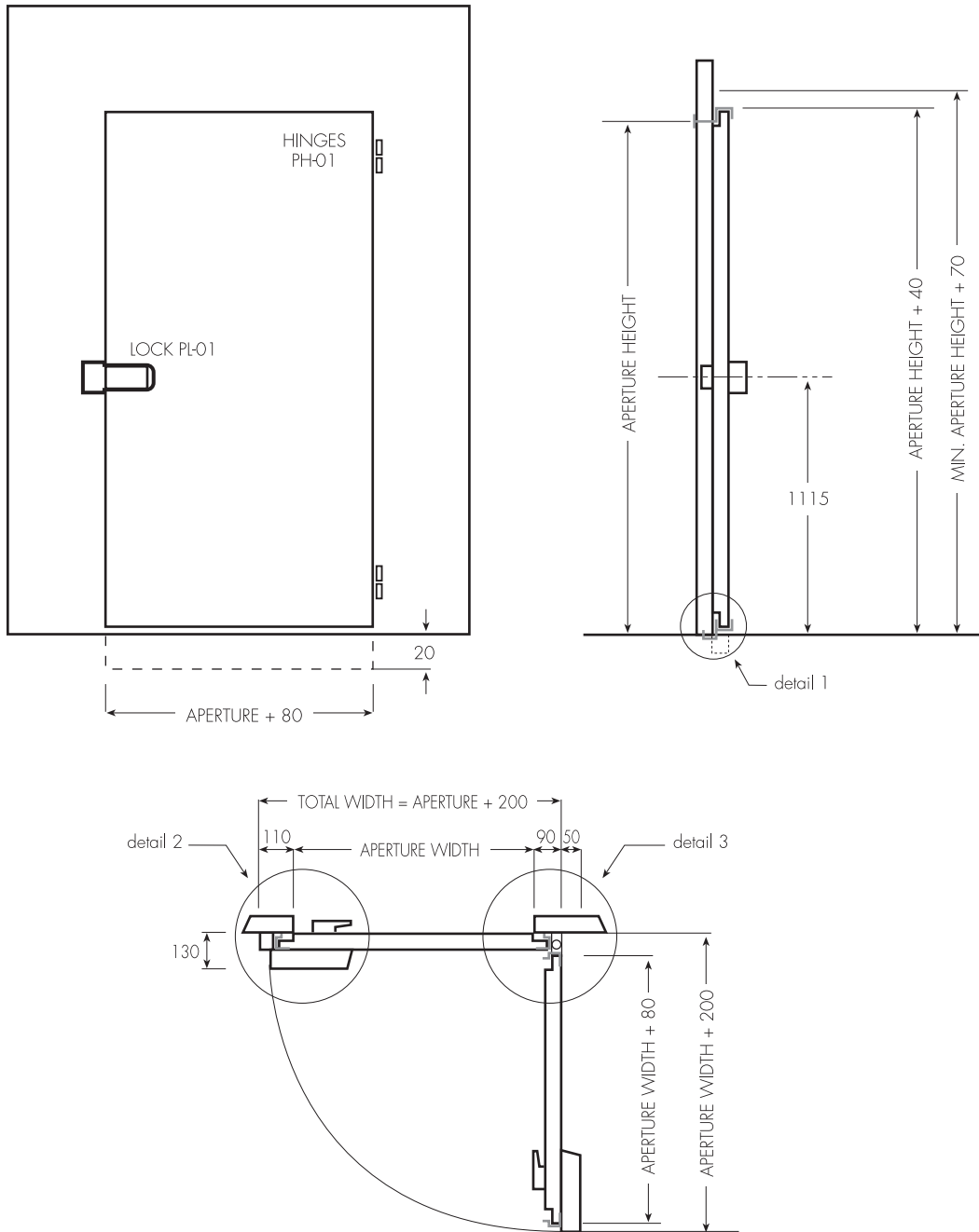
KIDE is in possession of a COMPANY REGISTER CERTIFICATE certified by AENOR (member of IGNet) under the register ER-0110-1993, having a system for QUALITY ASSURANCE according to standard ISO-9001:2008 and the register GA-1997/0017 having an ENVIRONMENTAL MANAGEMENT CERTIFICATE according to standard ISO-14001:2004, whose scope is the design, development and production of commercial refrigeration equipment and insulating sandwich panels of polyurethane, polystyrene and mineral wool, and doors for cold and air-conditioned rooms and other enclosed facilities.



Polígono Gardotza, s/n, 48710 BERRIATUA, Bizkaia, Spain  
 Telephone: + 34 94 603 62 07  
 Fax: + 34 94 603 62 21  
 E-mail: kide@kide.com  
 http: //www.kide.com

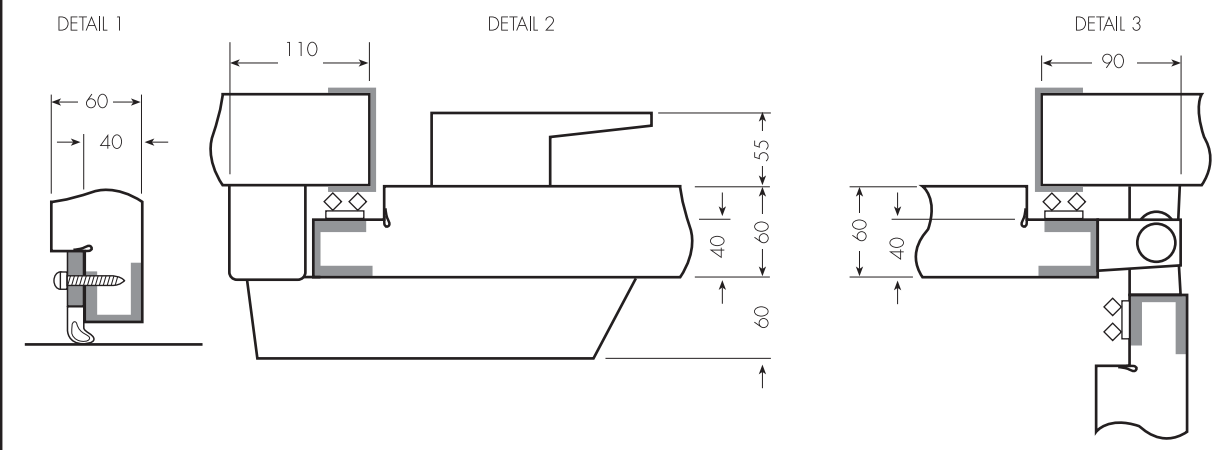


## PIVOTING DOOR PARTIALLY HOUSED ON DOOR PANEL (Max.: 940 x 2200)

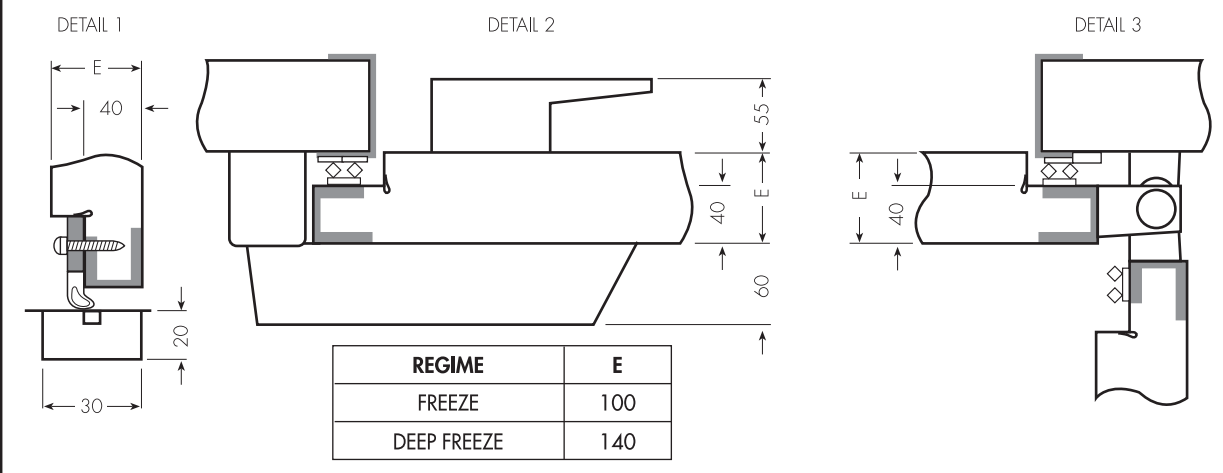


APERTURE WIDTH	APERTURE HEIGTH	N° HINGES
≤ 940	< 2000	2
≤ 940	2000 ≤ Height ≤ 2200	3

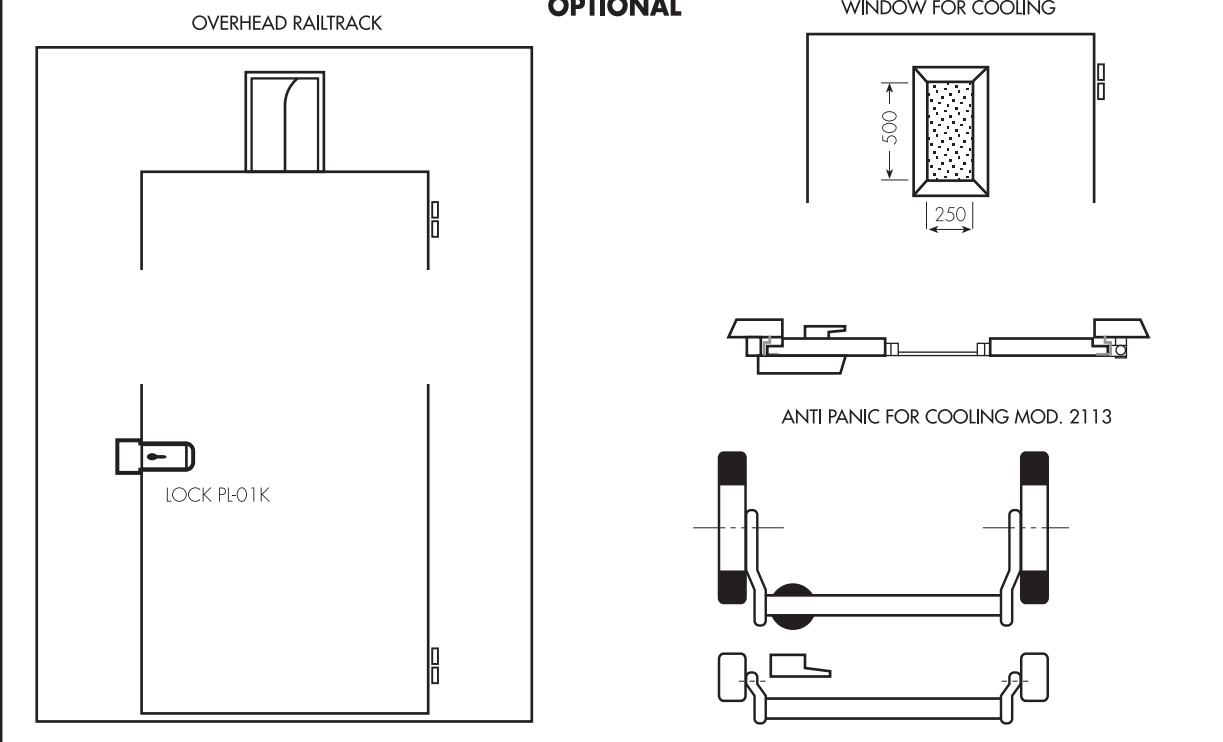
**COOLING**



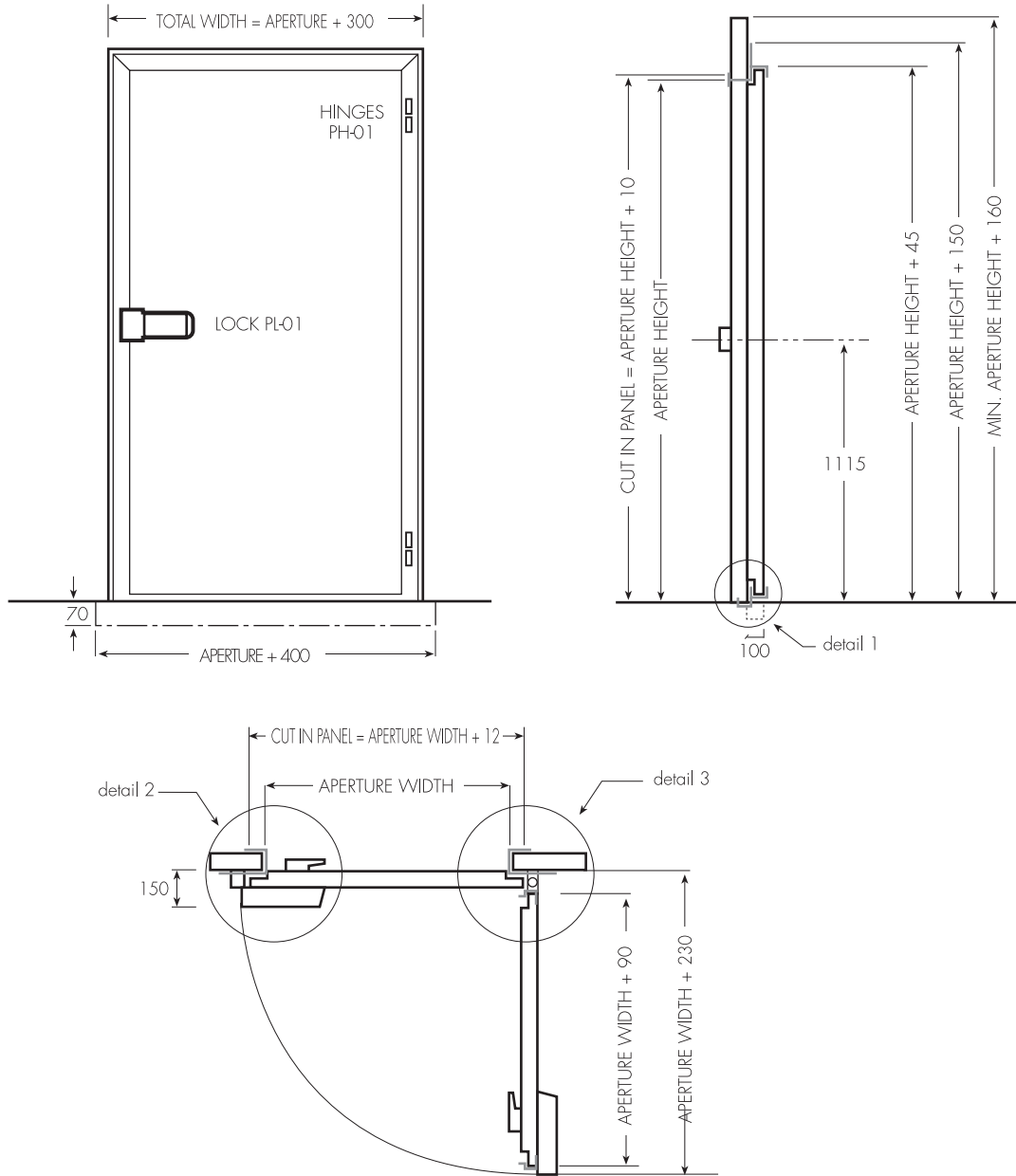
**FREEZING AND DEEP FREEZING**



**OPTIONAL**

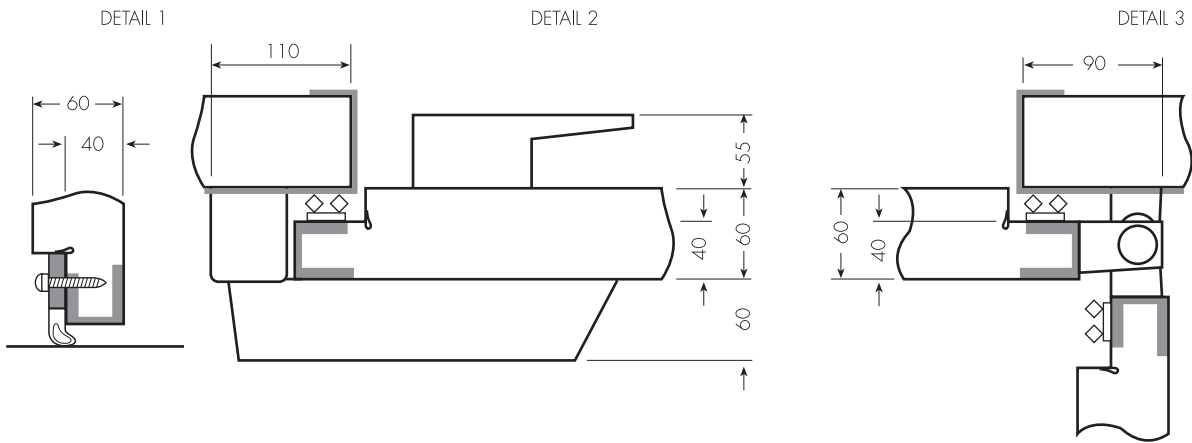


## PIVOTING DOOR PARTIALLY HOUSED ON FRAME (Max.: 1200 x 2200)

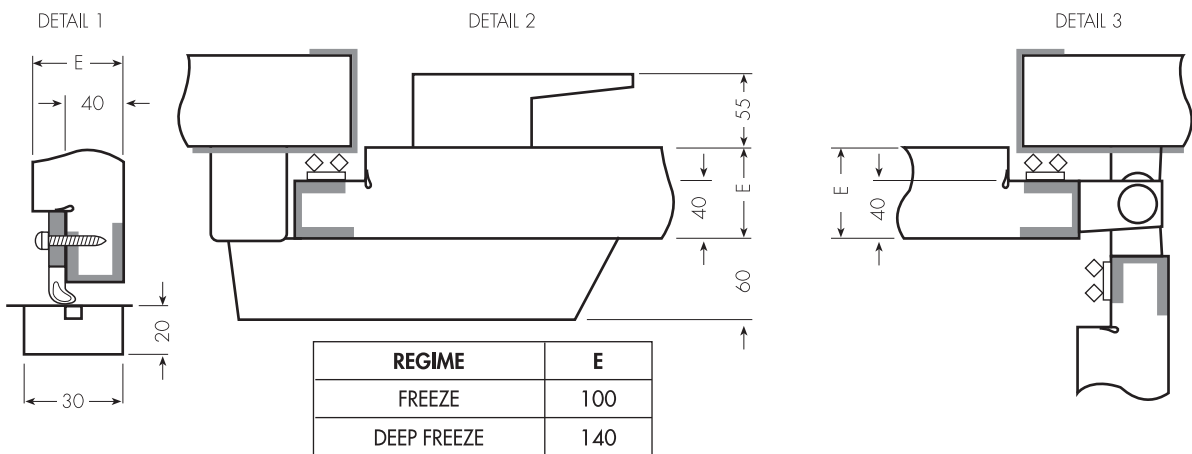


APERTURE WIDTH	APERTURE HEIGHT	Nº HINGES
≤ 1000	< 2000	2
≤ 1000	2000 ≤ Height ≤ 2200	3
> 1000	2000 ≤ Height ≤ 2200	4

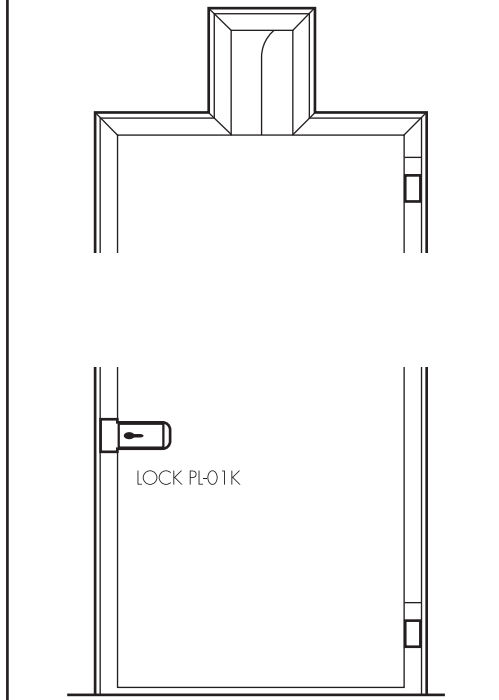
**COOLING**



**FREEZING AND DEEP FREEZING**

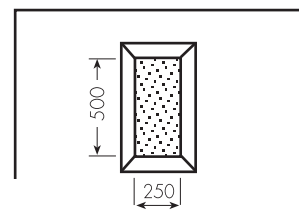


**OVERHEAD RAILTRACK**

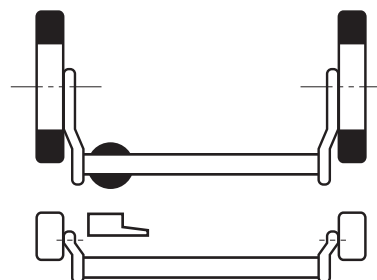


**OPTIONAL**

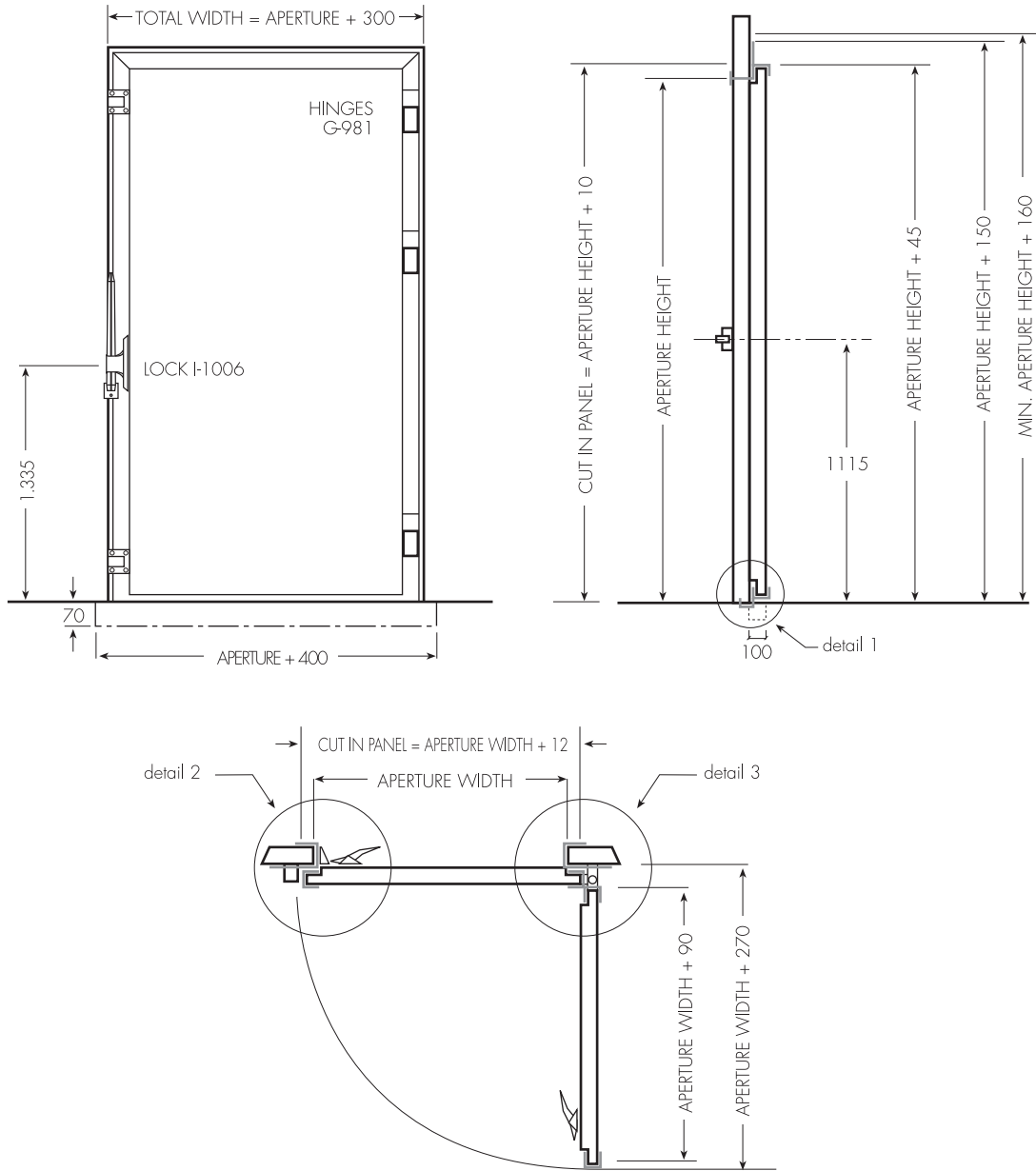
**WINDOW FOR COOLING**



**ANTI PANIC FOR COOLING MOD. 2113**

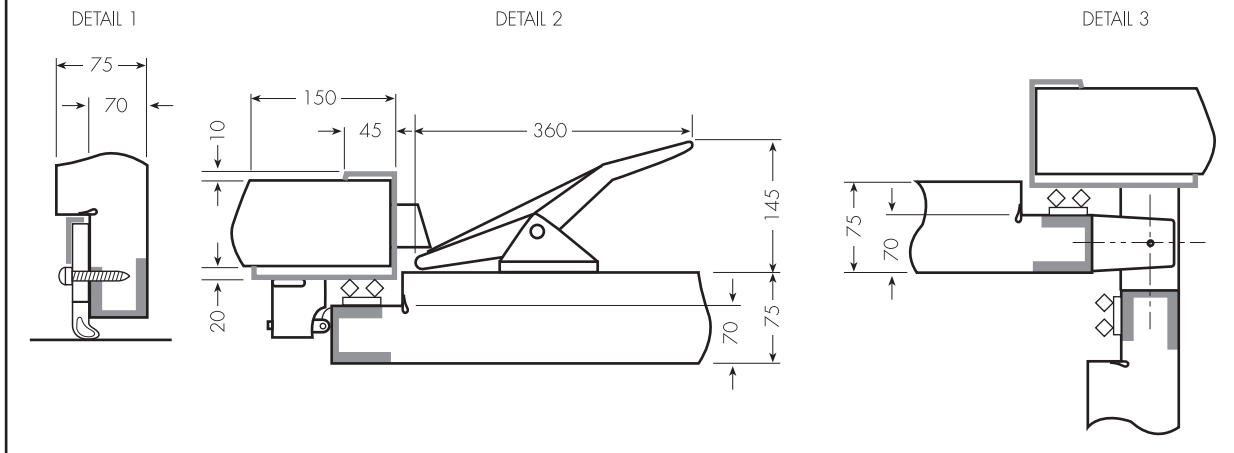


## PIVOTING DOOR ON FRAME

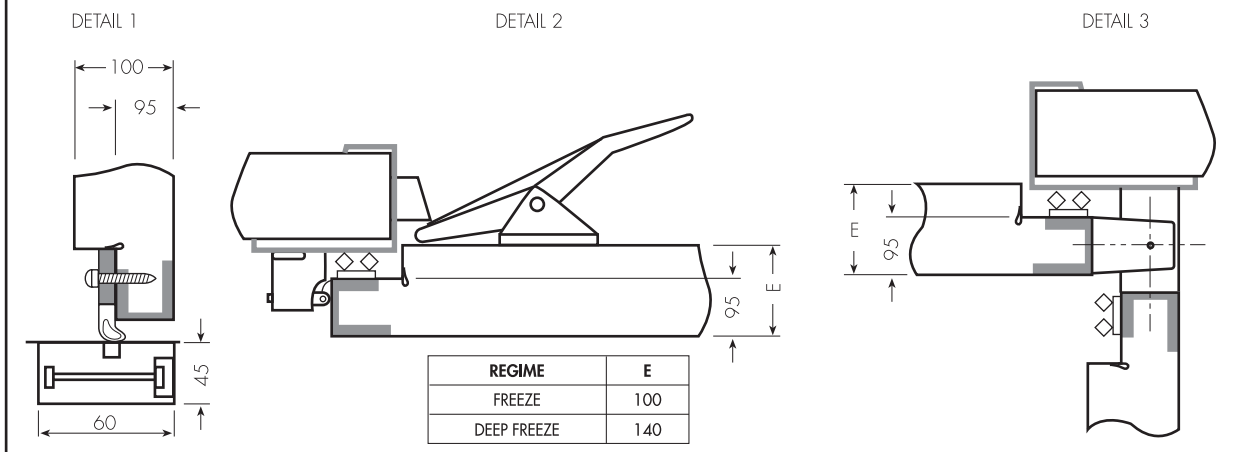


APERTURE WIDTH	APERTURE HEIGHT	Nº HINGES
1200 < WIDTH ≤ 1600	≤ 2200	3
	2200 < Height ≤ 2600	4

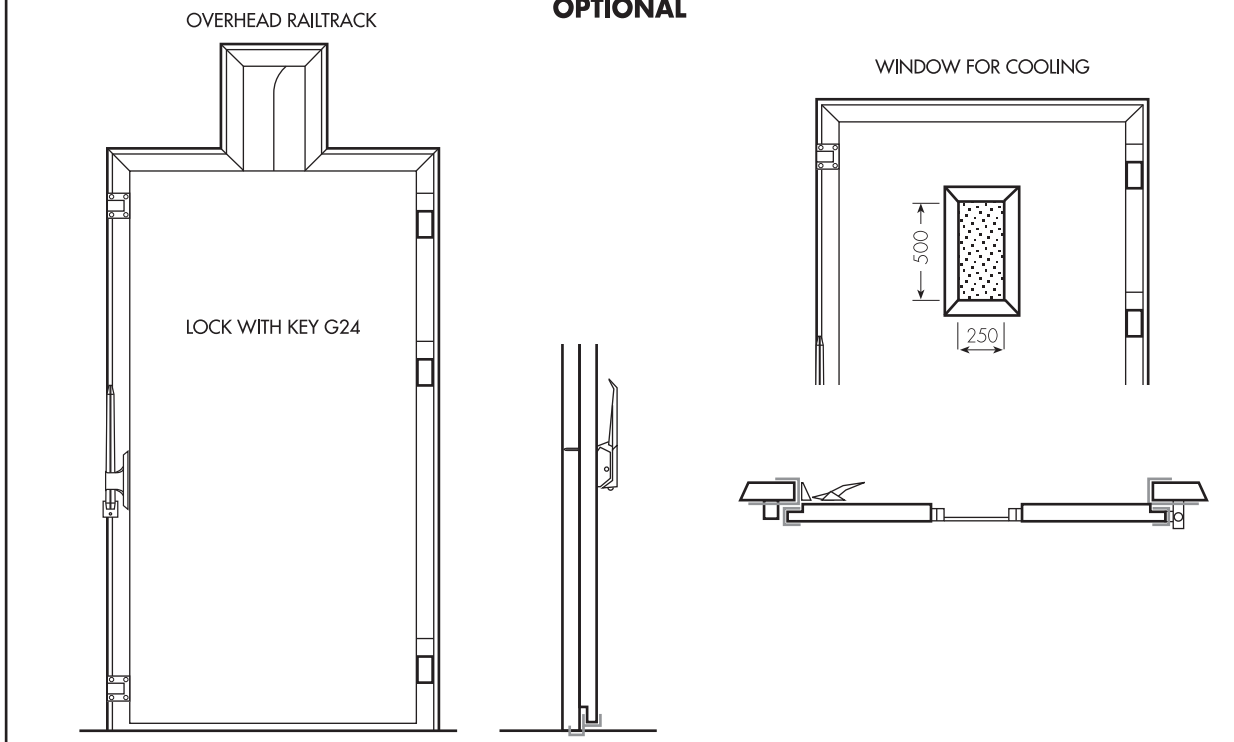
**COOLING**



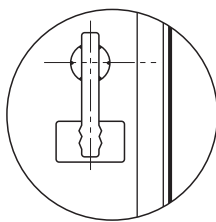
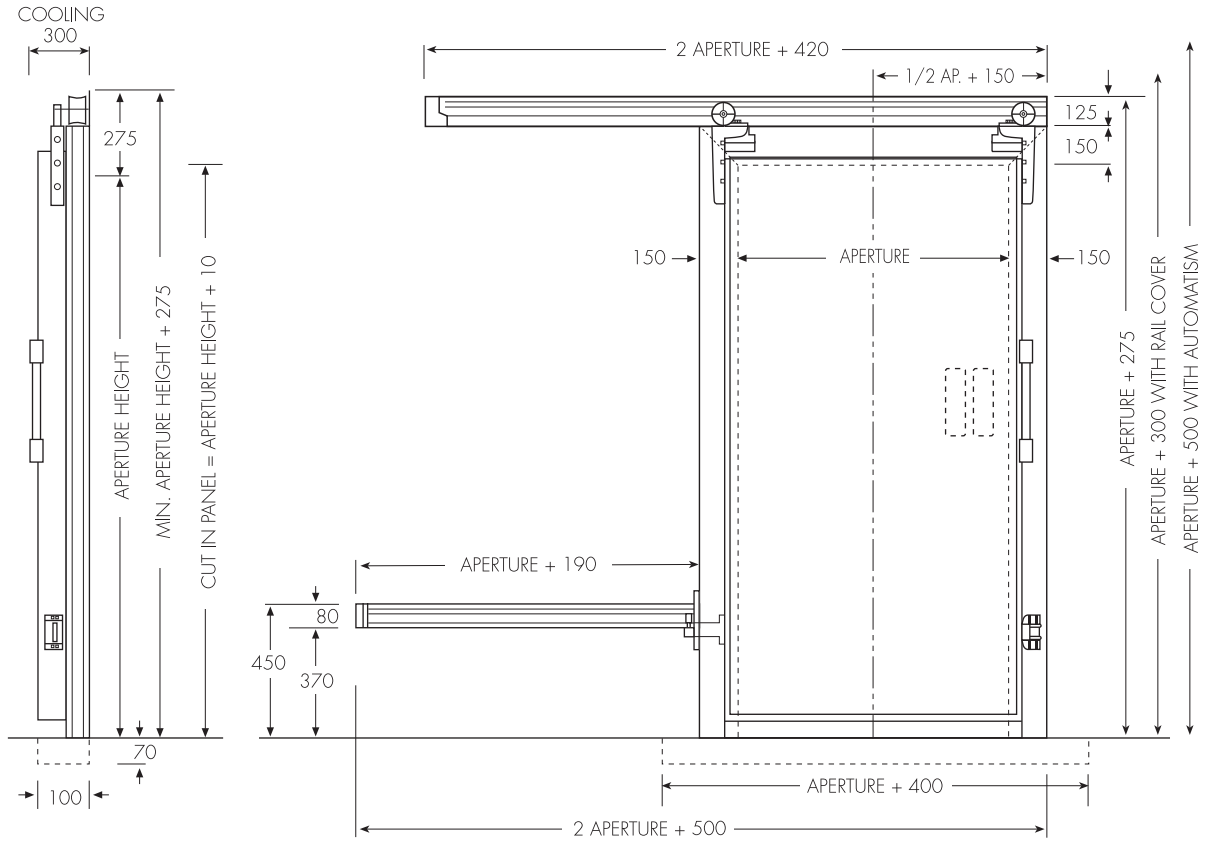
**FREEZING AND DEEP FREEZING**



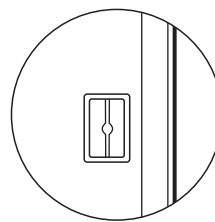
**OPTIONAL**



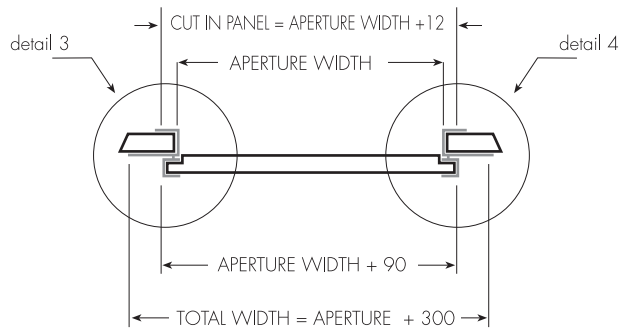
# SLIDING DOOR ON FRAME



detail of inner handle system

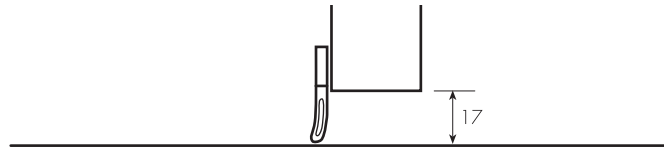
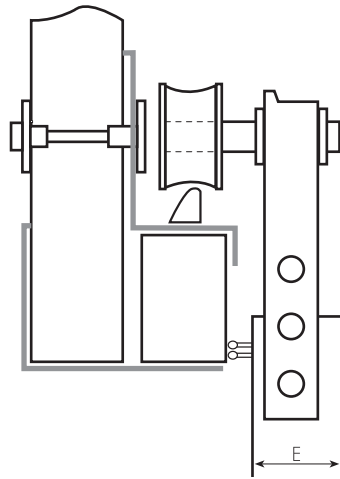


detail of inner fixed system

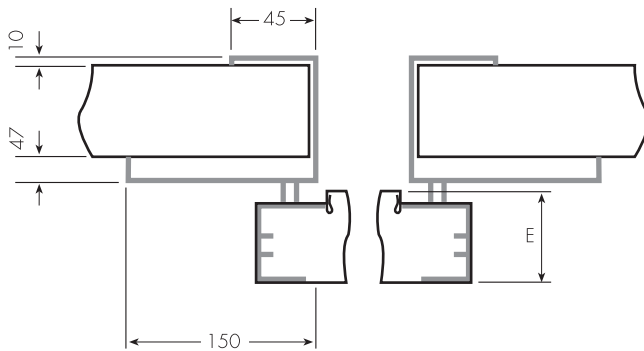




DETAIL 1/2  
(door open)

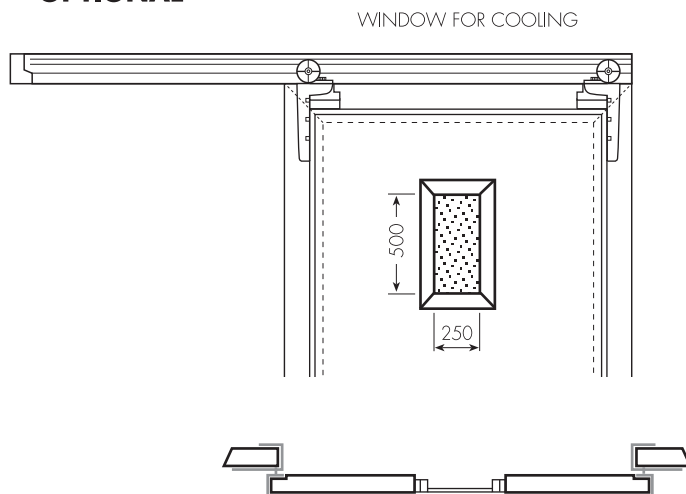
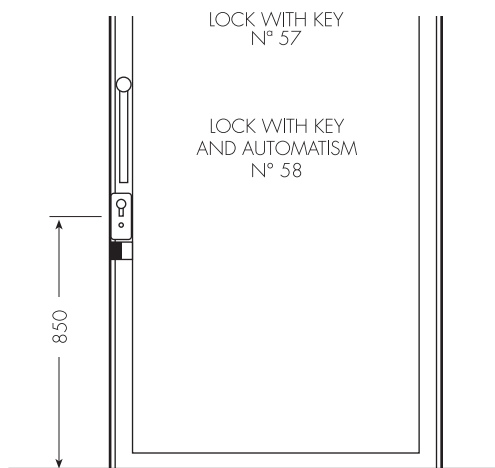


DETAIL 3/4  
(door closed)

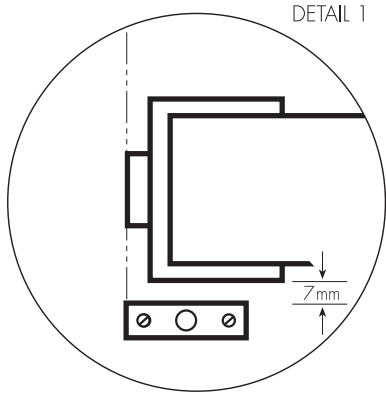
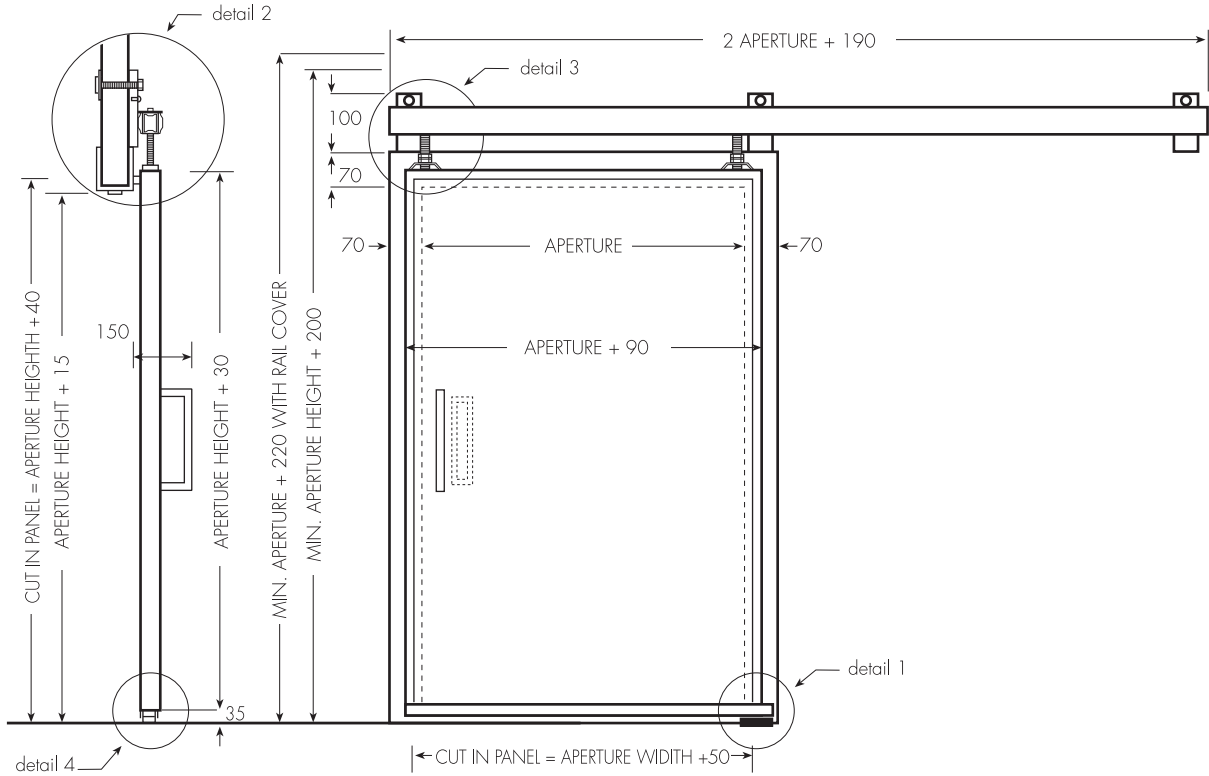


REGIME	E
COOLING HEIGHT $\leq$ 2000	75
COOLING HEIGHT $>$ 2000	100
FREEZE	100
DEEP FREEZE	140

**OPTIONAL**

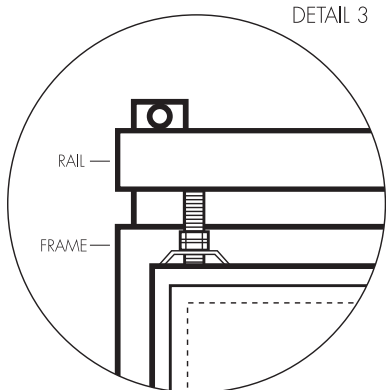
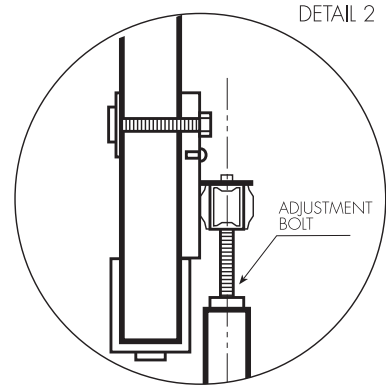


## SLIDING SERVICE DOOR SINGLE LEAF

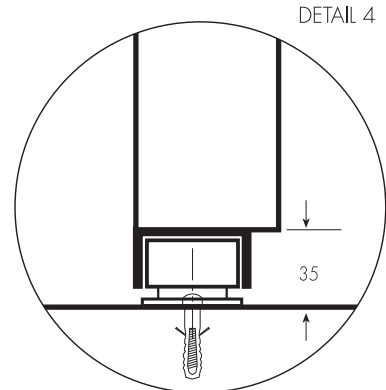


APERTURE WIDTH	APERTURE HEIGHT
MAX 1200	MAX 3000

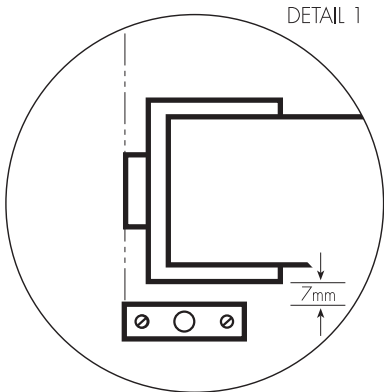
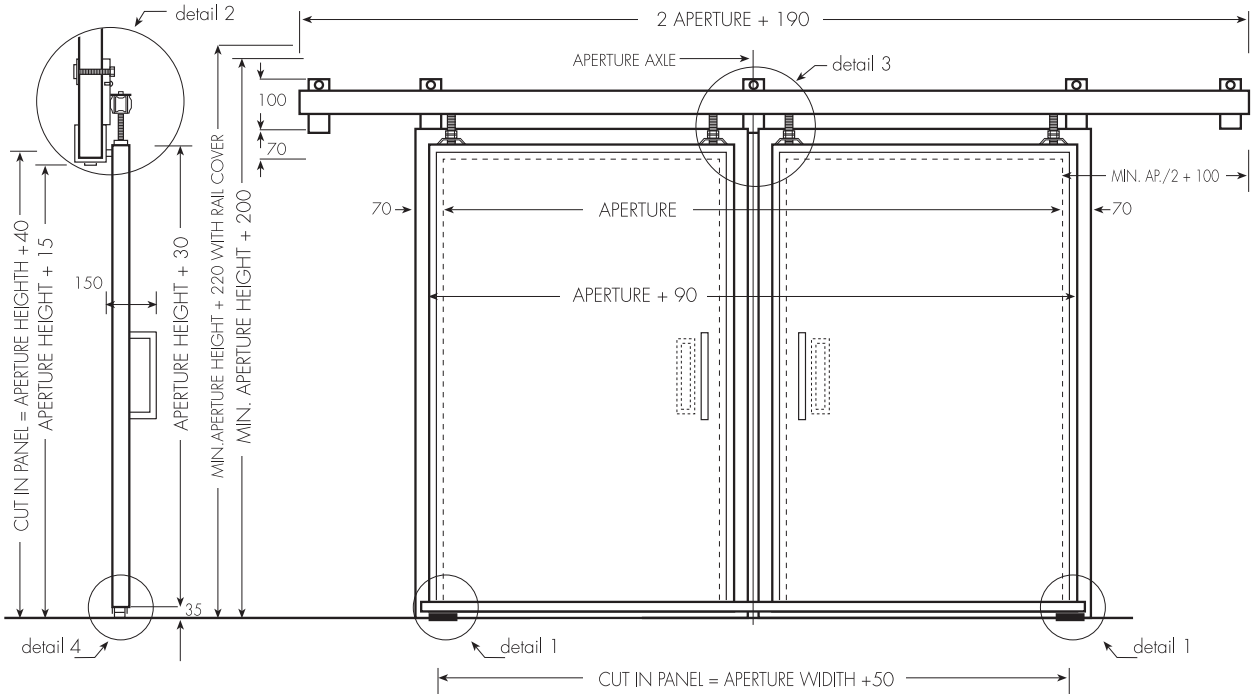
**IMPORTANT!**  
Place the floor guide  
in line with the aperture



**IMPORTANT!**  
Assemble the rail and  
the frame in line

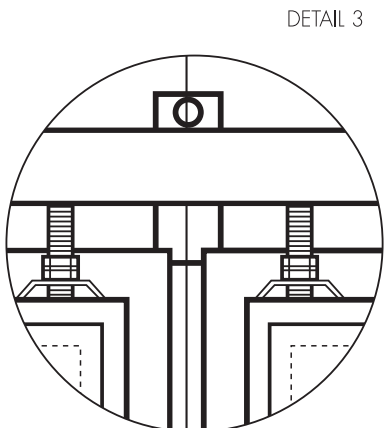
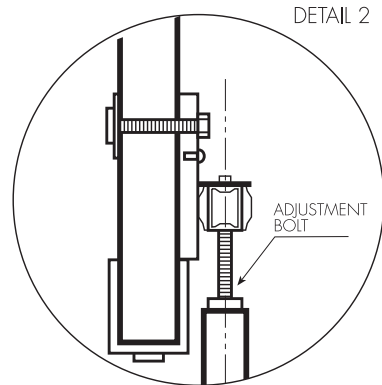


## SLIDING SERVICE DOOR DOUBLE LEAF

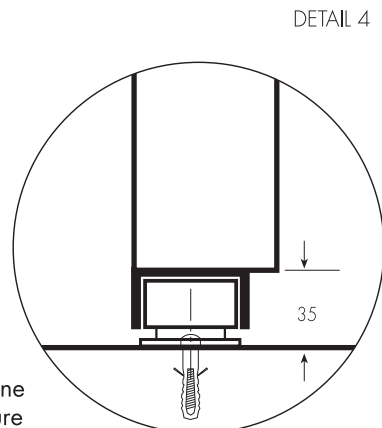


**IMPORTANT!**  
Place the floor guide  
in line with the aperture

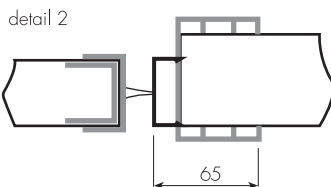
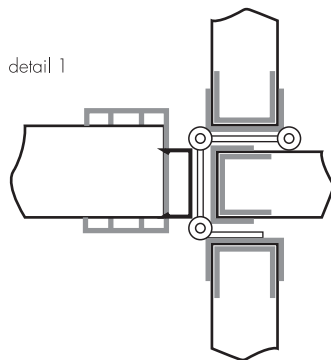
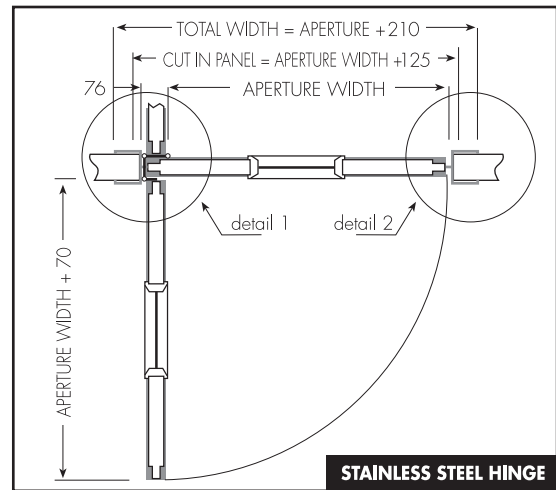
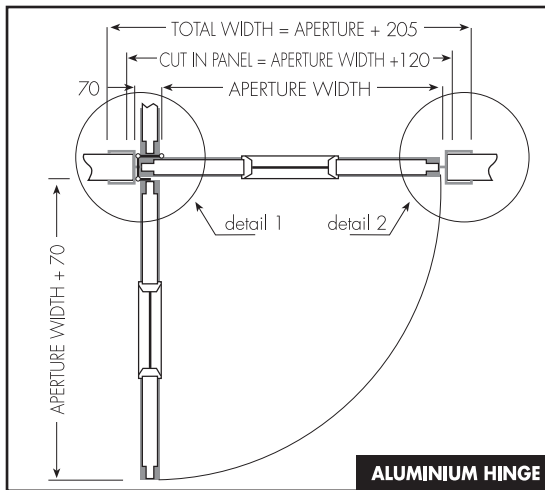
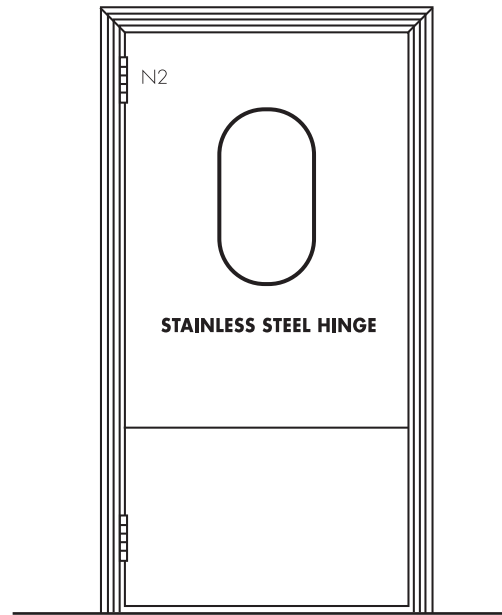
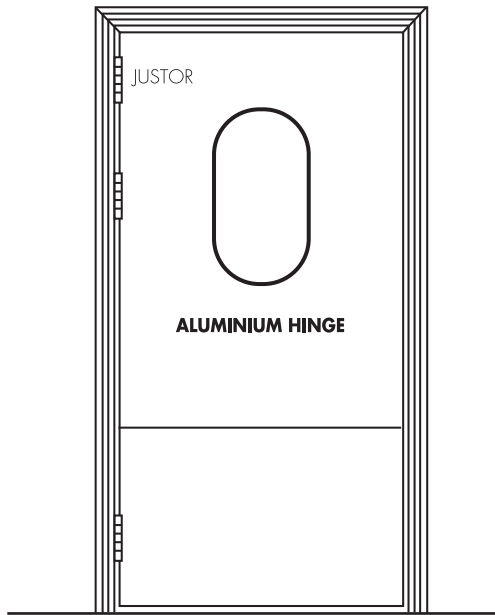
APERTURE WIDTH	APERTURE HEIGHT
MAX 2400	MAX 3000



**IMPORTANT!**  
Place the rail and the frame  
in line with the centre line  
of the aperture

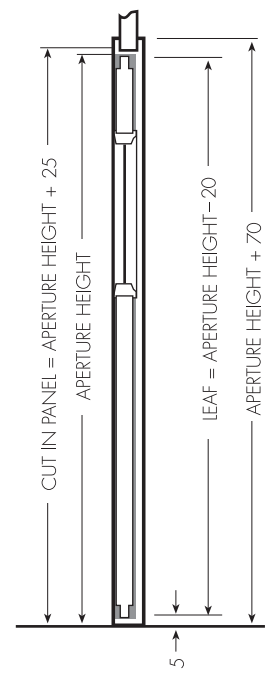


## INJECTED FLIP-FLAP DOOR - SINGLE LEAF

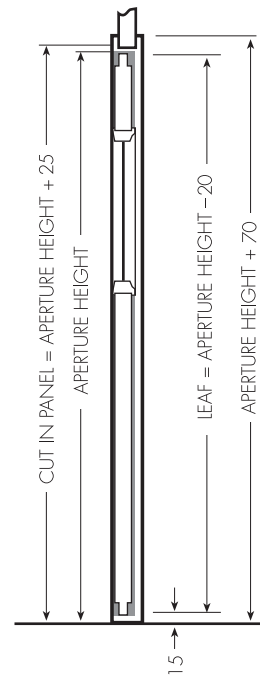
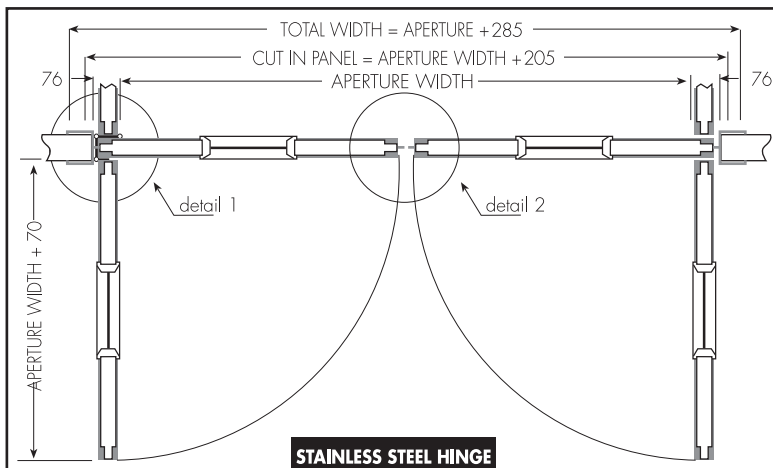
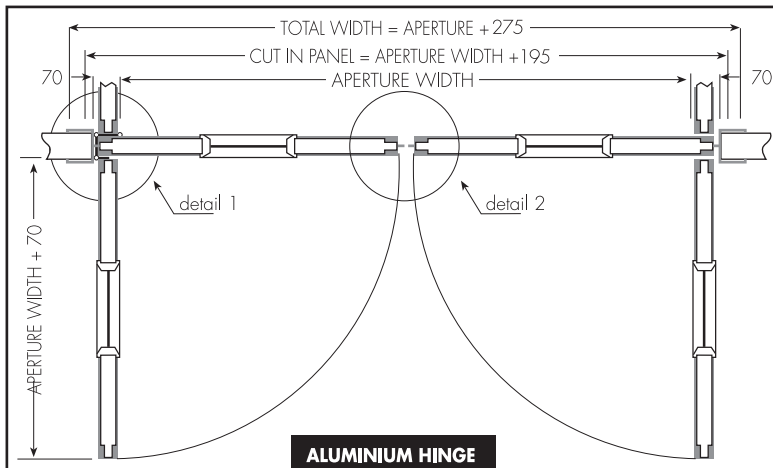
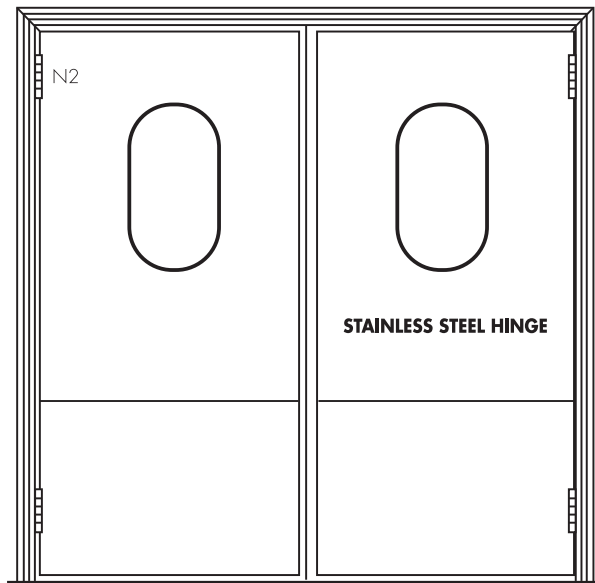
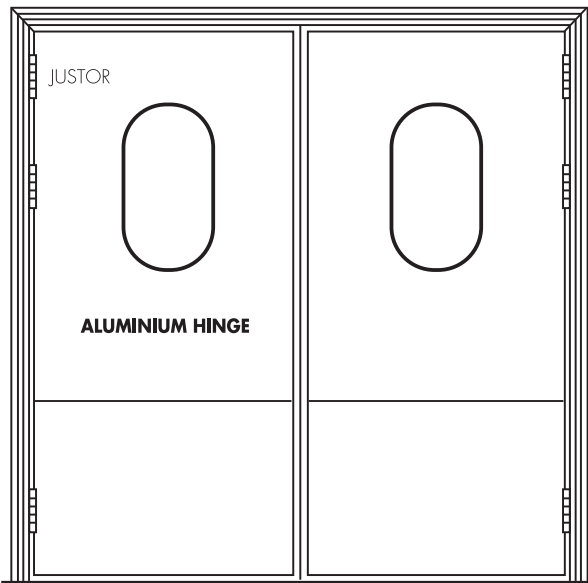


ALUMINIUM HINGE		
APERTURE WIDTH	APERTURE HEIGHT	N° HINGES
≤ 950	< 2200	3
> 950	≥ 2200	4
MAX. 1200	MAX. 2400	

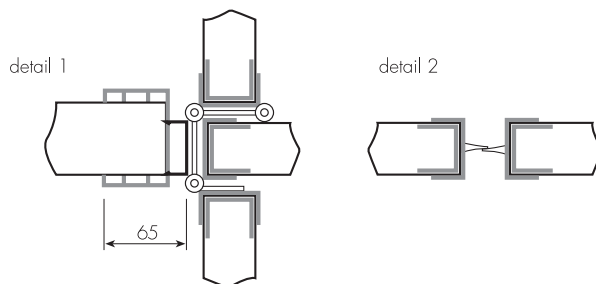
STAINLESS STEEL HINGE		
APERTURE WIDTH	APERTURE HEIGHT	N° HINGES
≤ 950	< 2200	2
> 950	≥ 2200	3
MAX. 1200	MAX. 2400	



## INJECTED FLIP-FLAP DOOR - DOUBLE LEAF

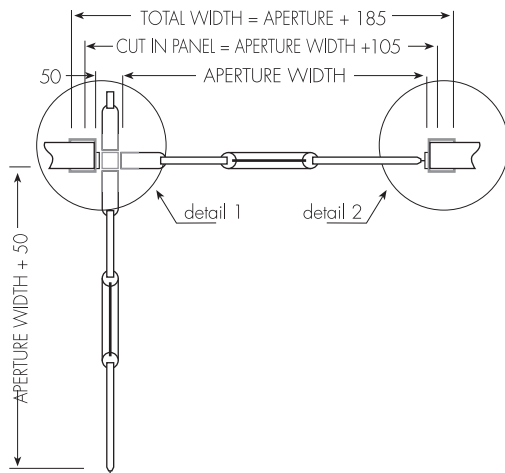
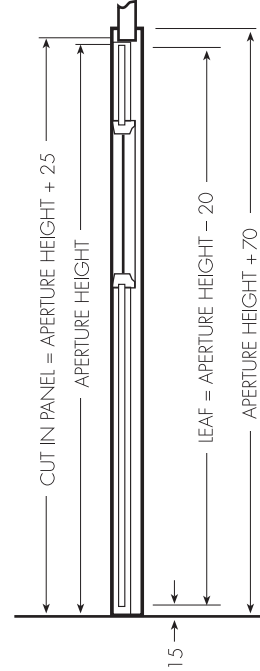
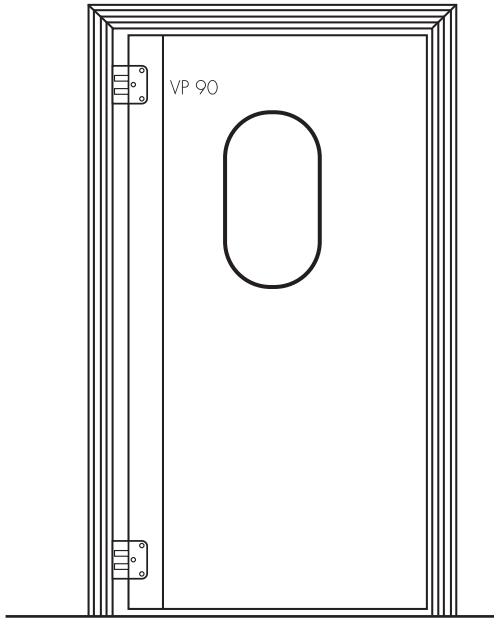


ALUMINIUM HINGE		
APERTURE WIDTH	APERTURE HEIGHT	Nº HINGES
≤ 1.900	< 2.200	6
> 1.900	≥ 2.200	8
MAX. 2.400	MAX. 2.400	



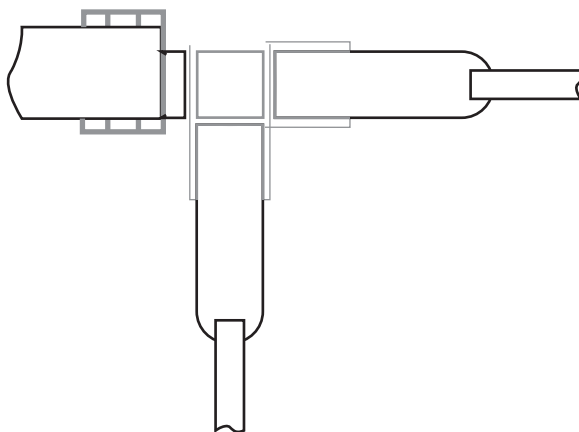
STAINLESS STEEL HINGE		
APERTURE WIDTH	APERTURE HEIGHT	Nº HINGES
≤ 1.900	< 2.200	4
> 1.900	≥ 2.200	6
MAX. 2.400	MAX. 2.400	

## POLYETHYLENE FLIP-FLAP DOOR - SINGLE LEAF

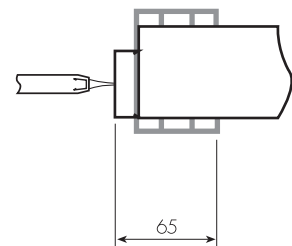


APERTURE WIDTH	APERTURE HEIGHT	Nº HINGES
≤ 1200	< 2200	2
≤ 1200	≥ 2200	3
MAX. 1200	MAX. 2400	

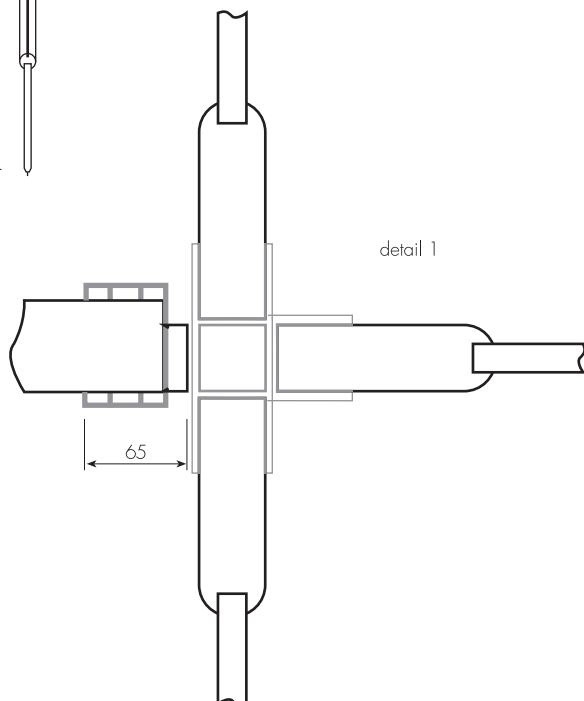
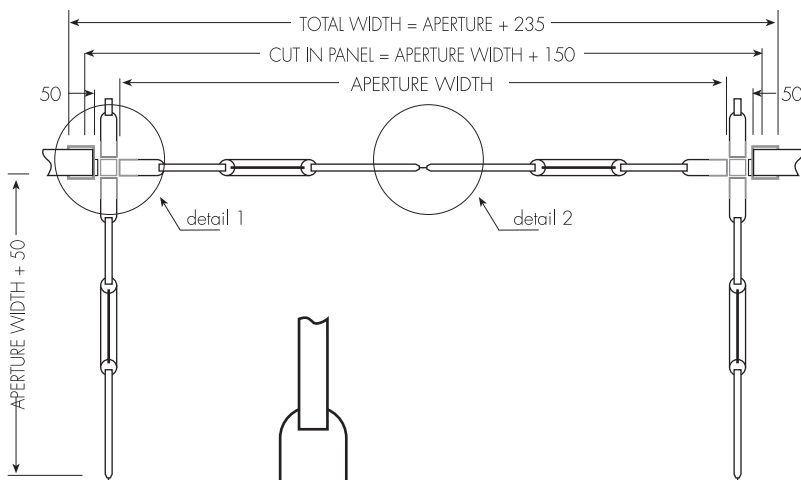
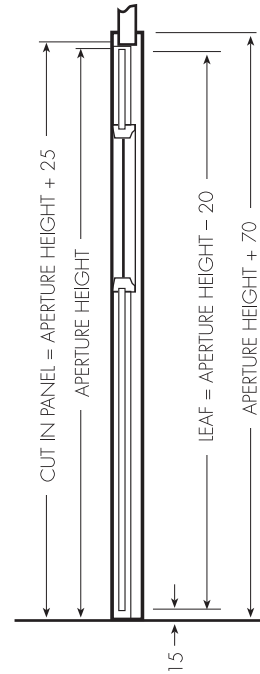
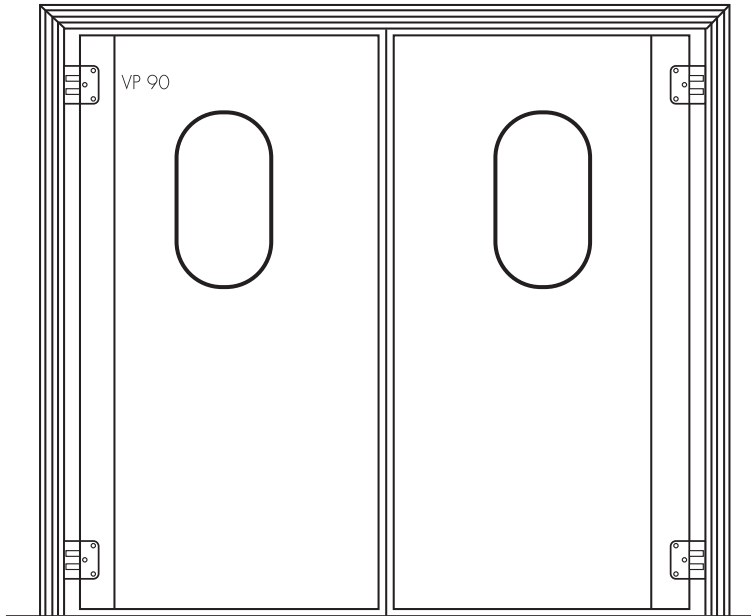
detail 1



detail 2

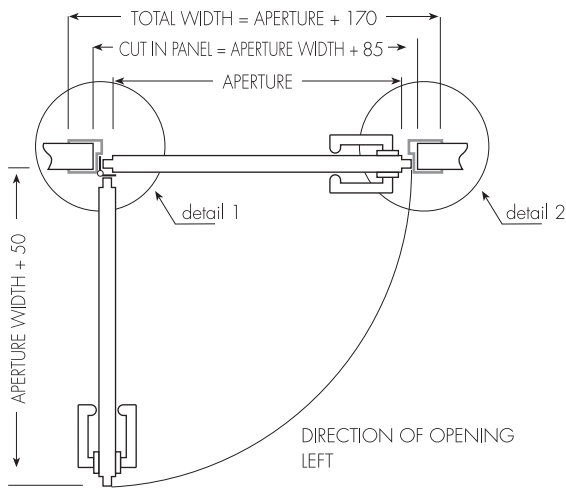
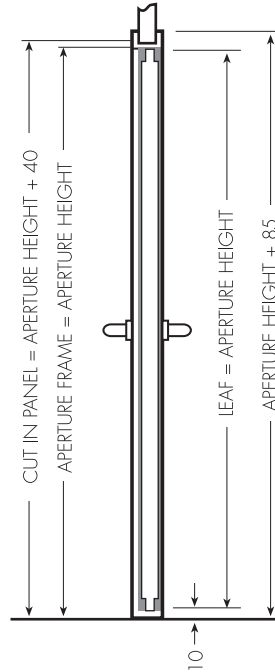
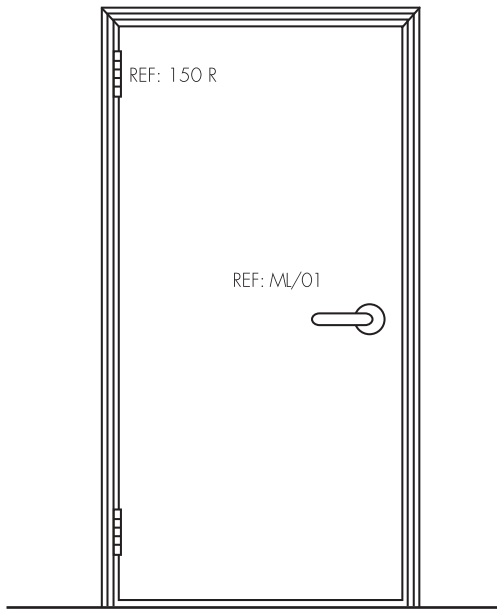


## POLYETHYLENE FLIP-FLAP DOOR - DOUBLE LEAF

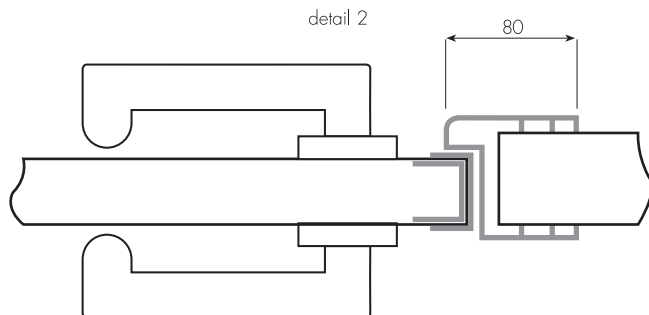
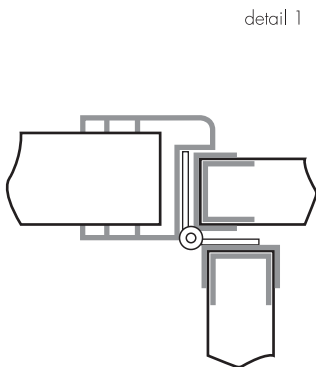


APERTURE WIDTH	APERTURE HEIGHT	N° HINGES
≤ 2.400	< 2.200	4
≤ 2.400	≥ 2.200	6
MAX. 2.400	MAX. 2.400	

## SERVICE DOOR - SINGLE LEAF

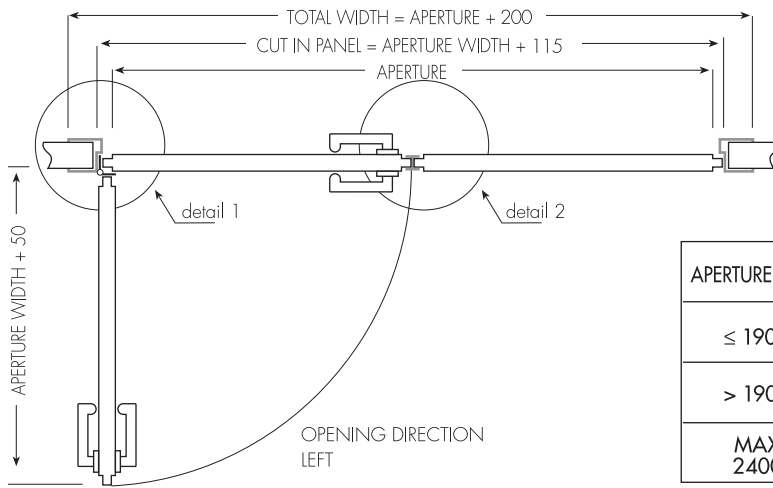
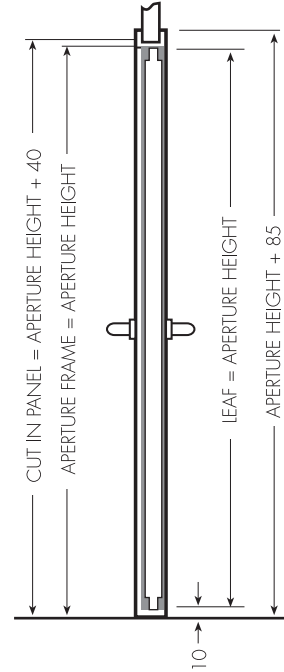
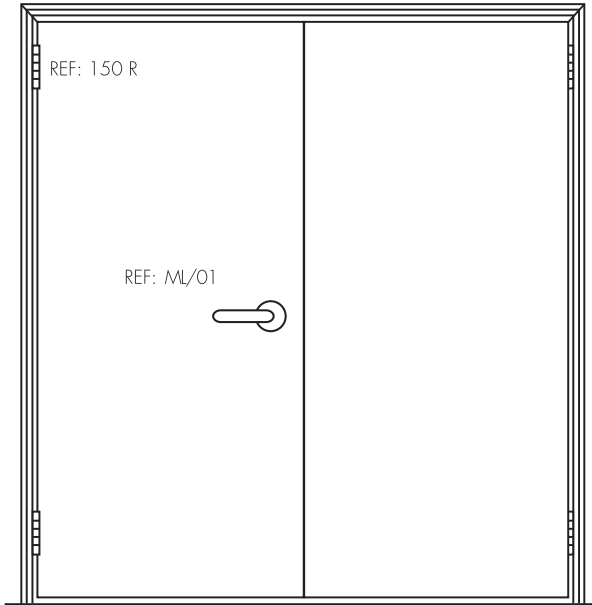


APERTURE WIDTH	APERTURE HEIGHT	N° HINGES
≤ 950	< 2200	2
> 950	≥ 2200	3
MAX. 1200	MAX. 2400	

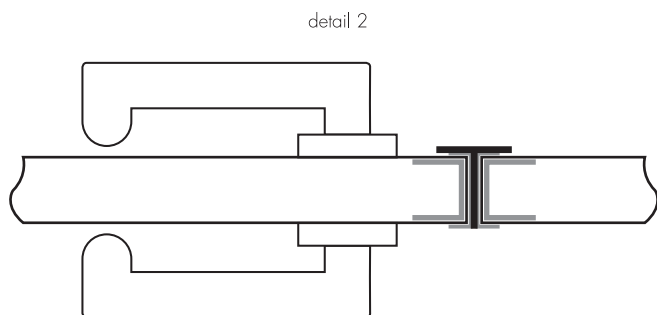
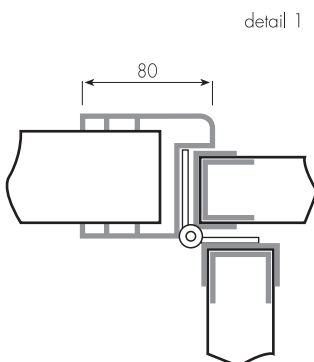




## SERVICE DOOR - DOUBLE LEAF



APERTURE WIDTH	APERTURE HEIGHT	N° HINGES
≤ 1900	< 2200	4
> 1900	≥ 2200	6
MAX. 2400	MAX. 2400	



# Technical Specifications

## ASSEMBLY

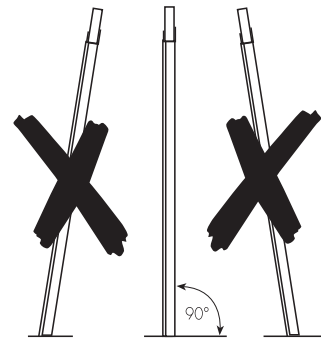
If tools and/or welding equipment which generate sparks are used, safety measures against fire-breakouts should be foreseen.

- A.-** Verify that the panels are vertical.
- B.-** Carry out the cutting operation according to the type of door.

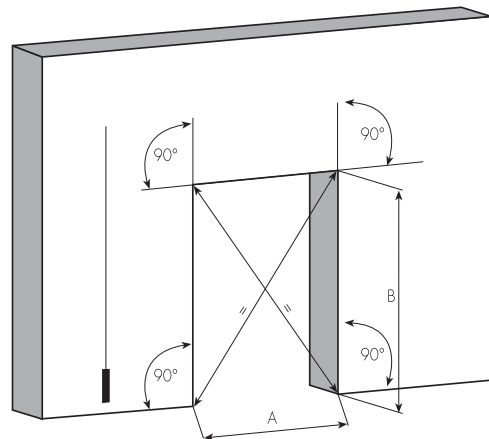
TYPE OF DOOR	A	B
SERVICE SINGLE LEAF	L + 85	L + 40
SERVICE DOUBLE LEAF	L + 115	L + 40
FLIP-FLAP SINGLE ALUMINIUM HINGE	L + 120	L + 25
FLIP-FLAP DOUBLE ALUMINIUM HINGE	L + 195	L + 25
FLIP-FLAP SINGLE STAINLESS STEEL HINGE	L + 125	L + 25
FLIP-FLAP DOUBLE STAINLESS STEEL HINGE	L + 205	L + 25
FLIP-FLAP POLYETHYLENE SINGLE	L + 105	L + 25
FLIP-FLAP POLYETHYLENE DOUBLE	L + 150	L + 25
PIVOTING AND SLIDING	L + 12	L + 10
LARGE DOOR	L + 12	L + 12
SLIDING SERVICE	L + 50	L + 40
SECTIONAL	L + 10	L + 5
RAPID ROLL	L + 10	L + 5

- C.-** Take off the plastic sheet from the panel in order to position the frame.
- D.-** If the door is for deep freezing, carry out the hollowing-out process on the concrete floor according to the sketch.
- E.-** Put the silicone sealant on the back side of the frame in the insulated refrigerated doors - 7-.
- F.-** Adjust the frame with the panel centred, it being VERY IMPORTANT to have it perfectly LEVELLED AND PLUMBED so that the door operates correctly.
- G.-** Fix the frame of the panel with self-tapping screws at approximately every 250 mm. -2-
- H.-** Fix frame to the jamb itself or through the hole and cover it with a plug of  $\varnothing 10$  -3-.
- I.-** Clip the aluminium profile plate on the frame -4-.
- J.-** Seal off the perimeter of the frame -5-.

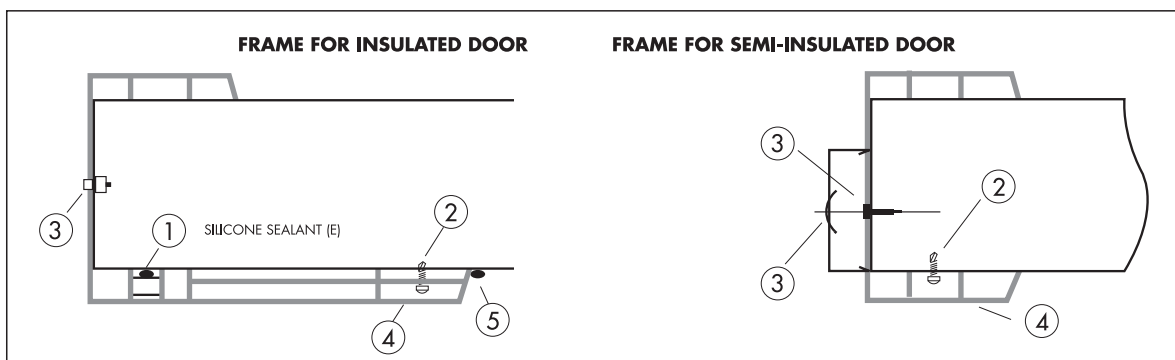
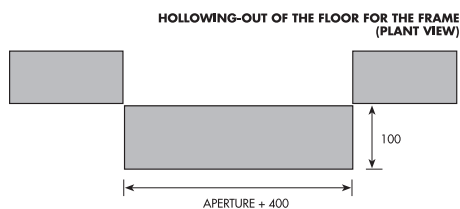
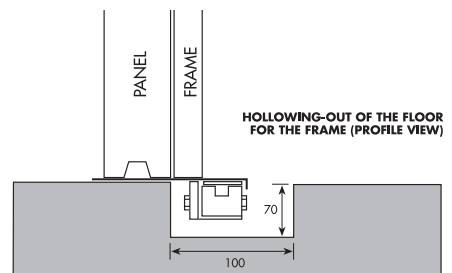
**A**

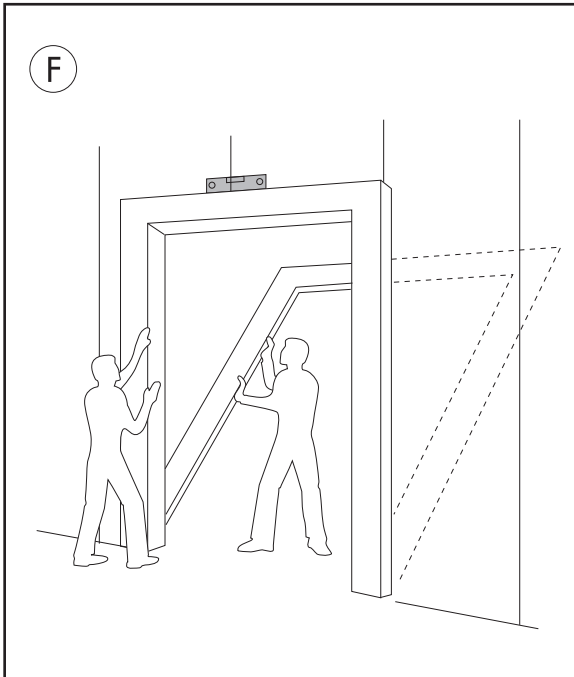


**B**

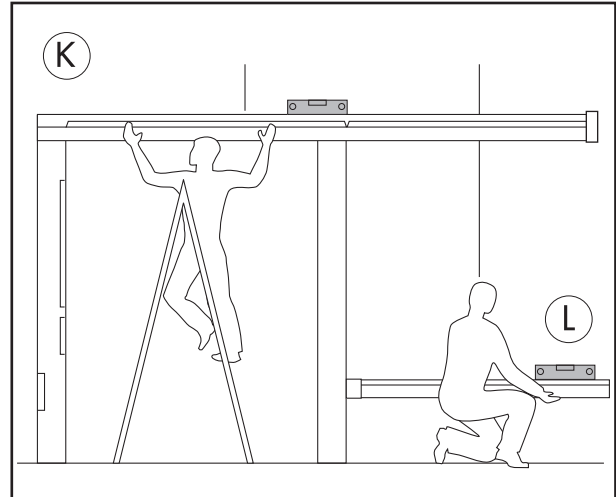


**D**





ADJUST THE FRAME - PERFECTLY LEVELLED AND PLUMBED

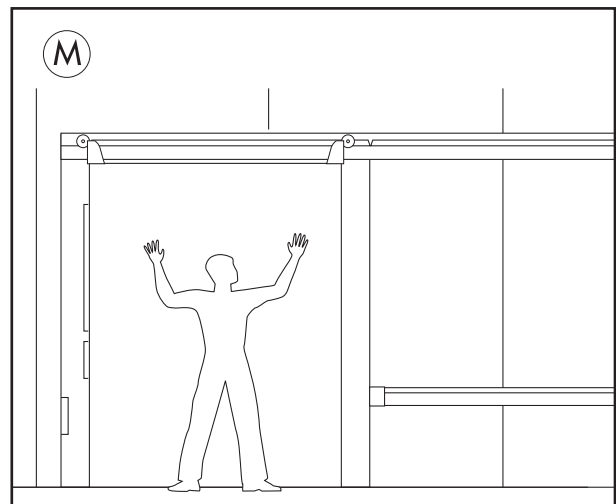


**If the door is a sliding door, continue the assembly as follows**

**K.-** Place the rail-guide on the frame and fix it with the nylon grub screws, placing a screw cap on the outside and a cap and washer on the inside. It is **VERY IMPORTANT** that the rail guide be in even position with the frame on the side of the handle and perfectly **LEVELLED**.

**L.-** Place the aluminium profile guide on the panel. Its position is defined by the four side holes which the frame has. In these holes the profile guide is held by four rivets 5x18. Complete the fastening of the aluminium guide by placing it **IN LEVEL** with rivets 4x15 along its length on top and at the bottom. Leave about 300 mm. space between them.

**M.-** Loosen the guide piece from the side of the leaf and hang the leaf on the rail guide. Hold the guide piece again at the leaf, in such a way that the bearing gets inserted into the aluminium guide profile.

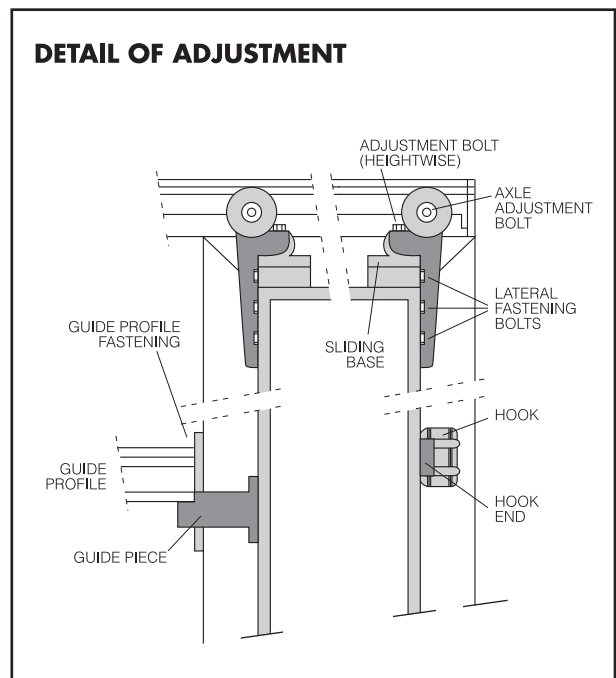


**Adjustment**

**1.-** Working on the axle bolts of the wheels, as well as on the guide piece and the end of the hook situated on the panel, one can move closer to or separate it from the frame until one obtains the desired adjustment.

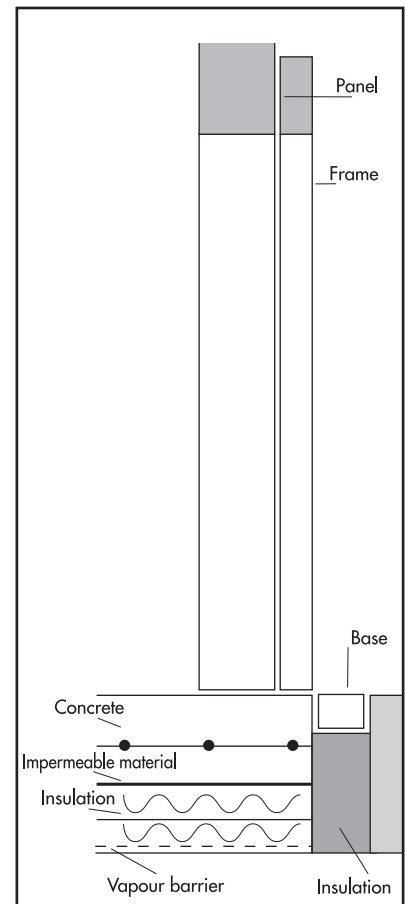
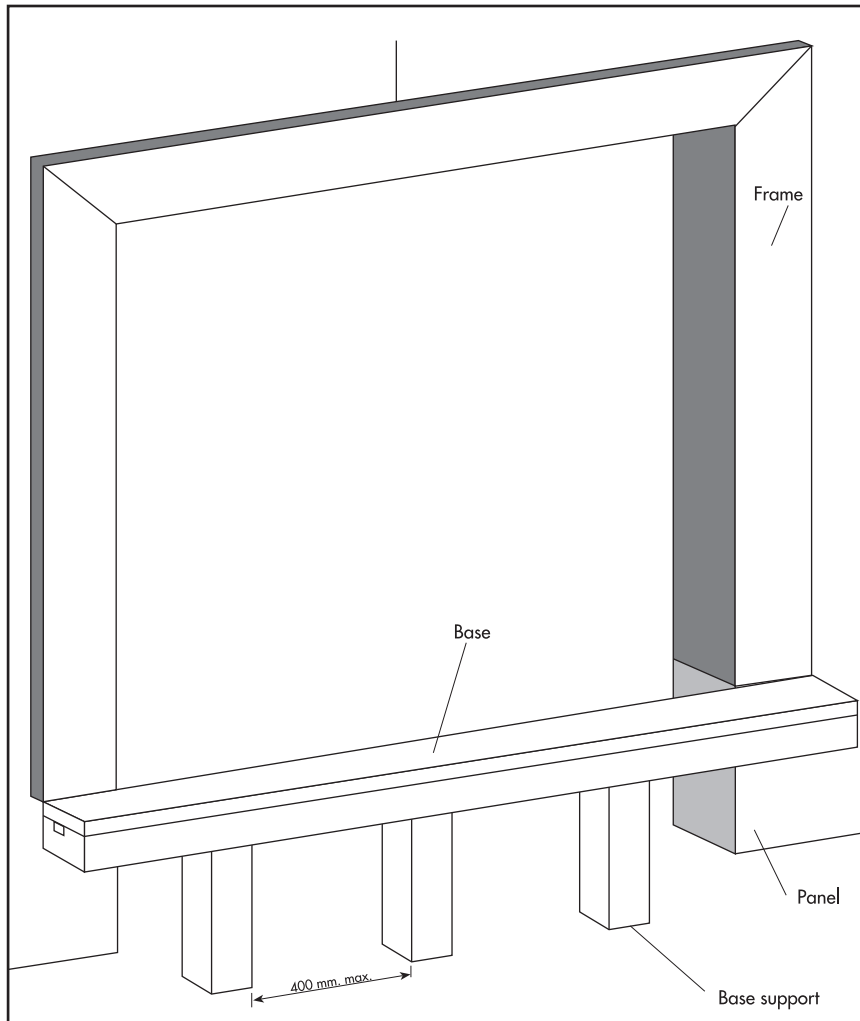
**2.-** In order to adjust the height, loosen the lateral fixing bolts from the base plate and by tightening or loosening the upper adjustment bolt, one can make the leaf go up or down.

**3.-** Once the door has been adjusted, ensure that the bolts and nuts are tightened.



### Assembly of the door with the base in the cold room and with the vertical part buried

- A.-** Make a hole in the panel in an inverted U-shape.
- B.-** Place frame.
- C.-** Place supports to the base (maximum distance between supports, from the door end to the support: 400 mm.)
- D.-** Fill in the space which remains below the base with insulating material.
- E.-** Once the concrete mixture is ready, the assembly of the door will be completed.



### Assembly of the automatic unit of the sliding door

#### MECHANICAL ASSEMBLY

- A.-** Fix the guide of automatism to the panel ④ (fig. 1).
- B.-** Adjust the leaf of the door, heightwise inwards, and the back of the guide and the extreme end (fig. 2). Following the instruction on page 17.
- C.-** Open and close the door manually to check the correct performance.
- D.-** Screw the traction piece to the door leaf together to the automatism. ⑦
- E.-** Place photoelectric cell in the support of the frame and the mirror on the edge of the leaf. Ensure the correct positioning of the mirror, in both open and closed positions, in order to reflect the beam. ⑤ ⑥

#### ELECTRIC ASSEMBLY

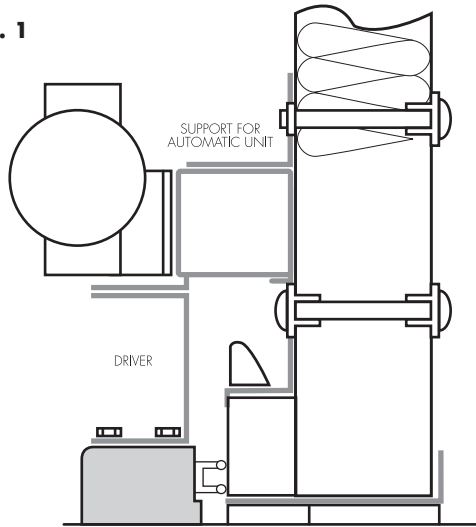
- A.-** Position and fasten the box to manouvre ① next to the frame below the engine.
- B.-** Place and fix the interior switchboard ②
- C.-** Connect the 220V single phase mains supply and earth to the box to manouvre ①
- D.-** Carry out the LEARNING PHASE regarding the instructions in the manual of electrical automatism.
- E.-** Carry out the complete cycle of opening and closing to check the correct performance.

**Important note:**

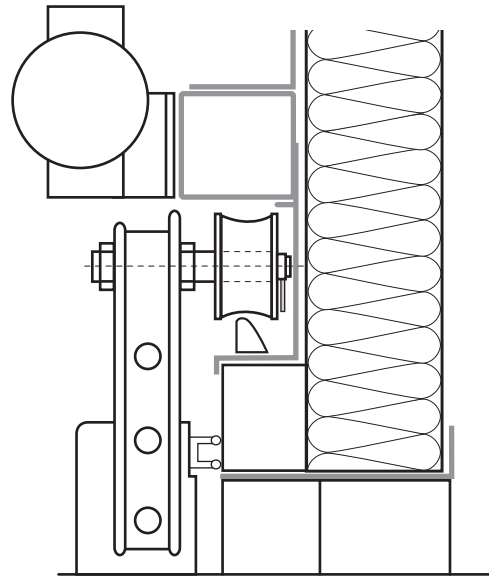
At the operations must be carried out by qualified personnel.

The electric installation must be carried out according to the standards related to the work environment where the automatic door is installed.

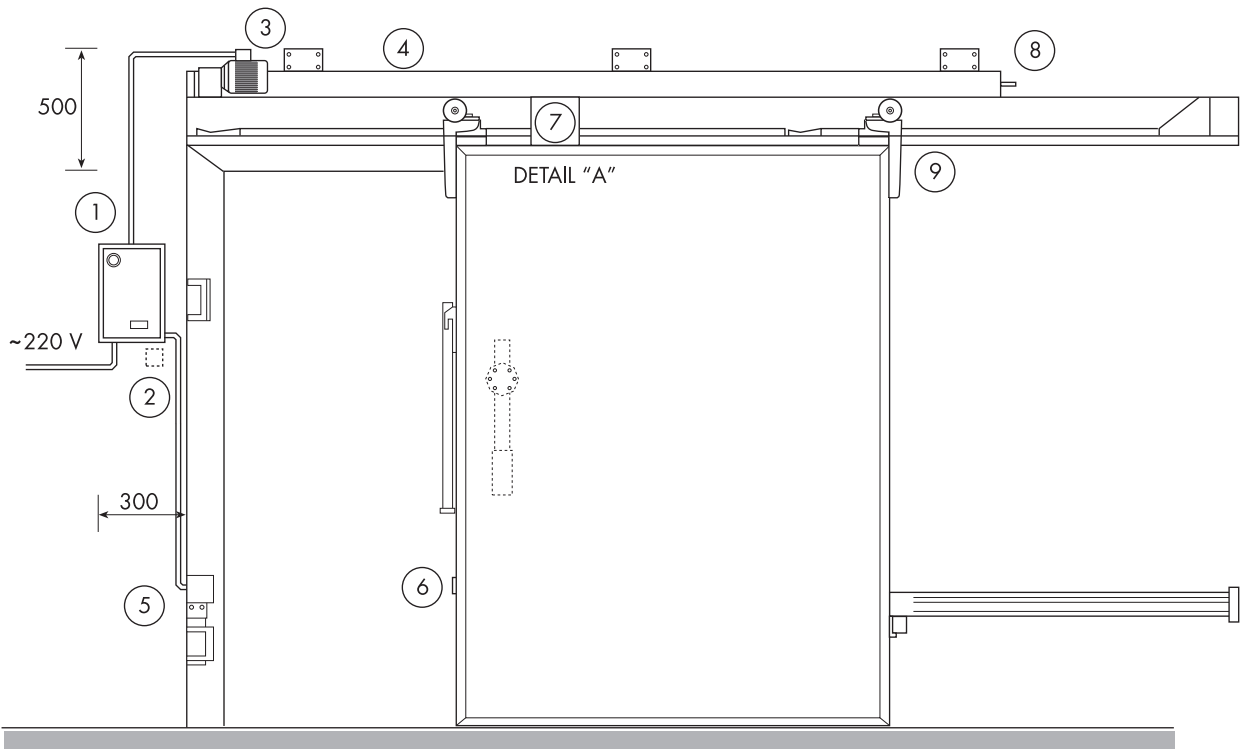
**FIG. 1**



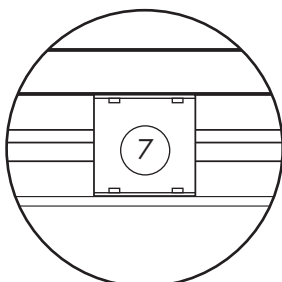
**FIG. 2**



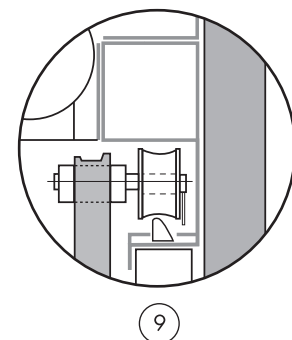
## DRAWING OF COMPLETE UNIT



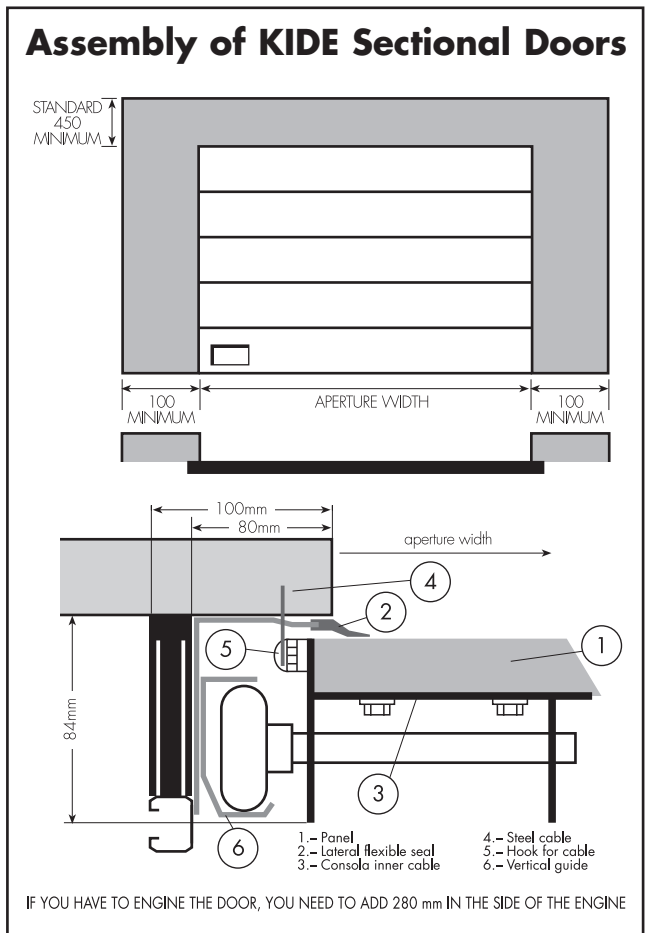
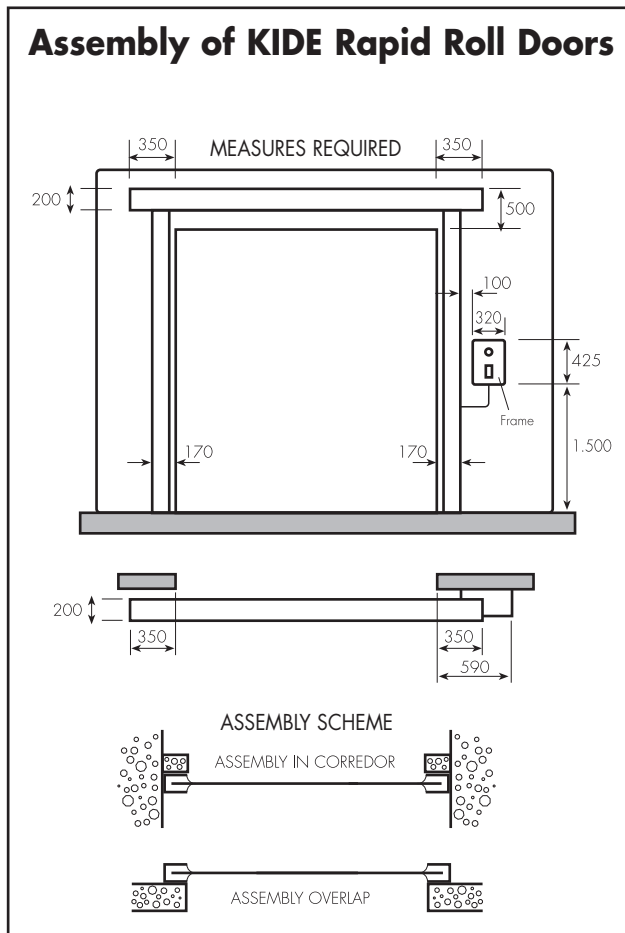
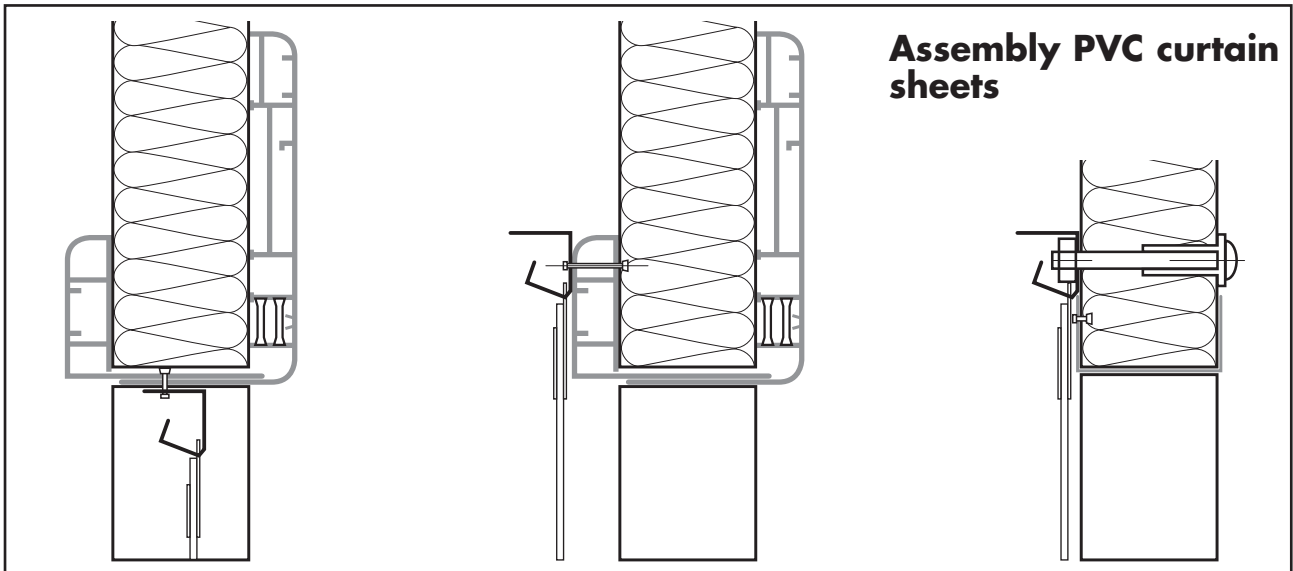
DETAIL "A"



DETAIL OF SYSTEM TO PREVENT



N°	DESCRIPTION OF ITEM	QUANTITY
1	BOX TO MANOUVRE	1
2	INTERIOR SWITCHBOARD	1
3	REDUCTION MOTOR	1
4	GUIDE OF AUTOMATISM	1
5	PHOTOELECTRIC CELL	1
6	PHOTOELECTRIC MIRROR	1
7	DRIVER UNIT	1
8	TENSING ELEMENT	1
9	WHEEL SUPPORT WITH SYSTEM TO PREVENT OVERTURNING	2



Notes

A large, empty rectangular box with a thin black border, occupying most of the page. It is intended for handwritten or typed notes.

Notes

A large empty rectangular box with a thin black border, intended for handwritten or typed notes. It occupies most of the page area below the 'Notes' header.